

# R11 INDUSTRIAL STOOLS

## STATE

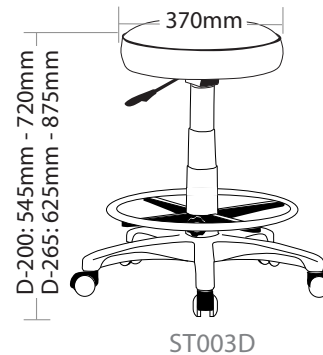
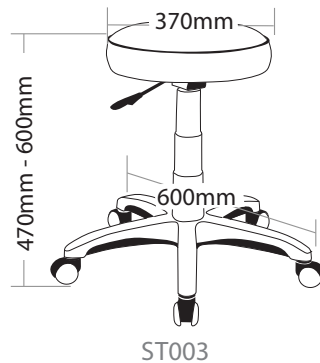
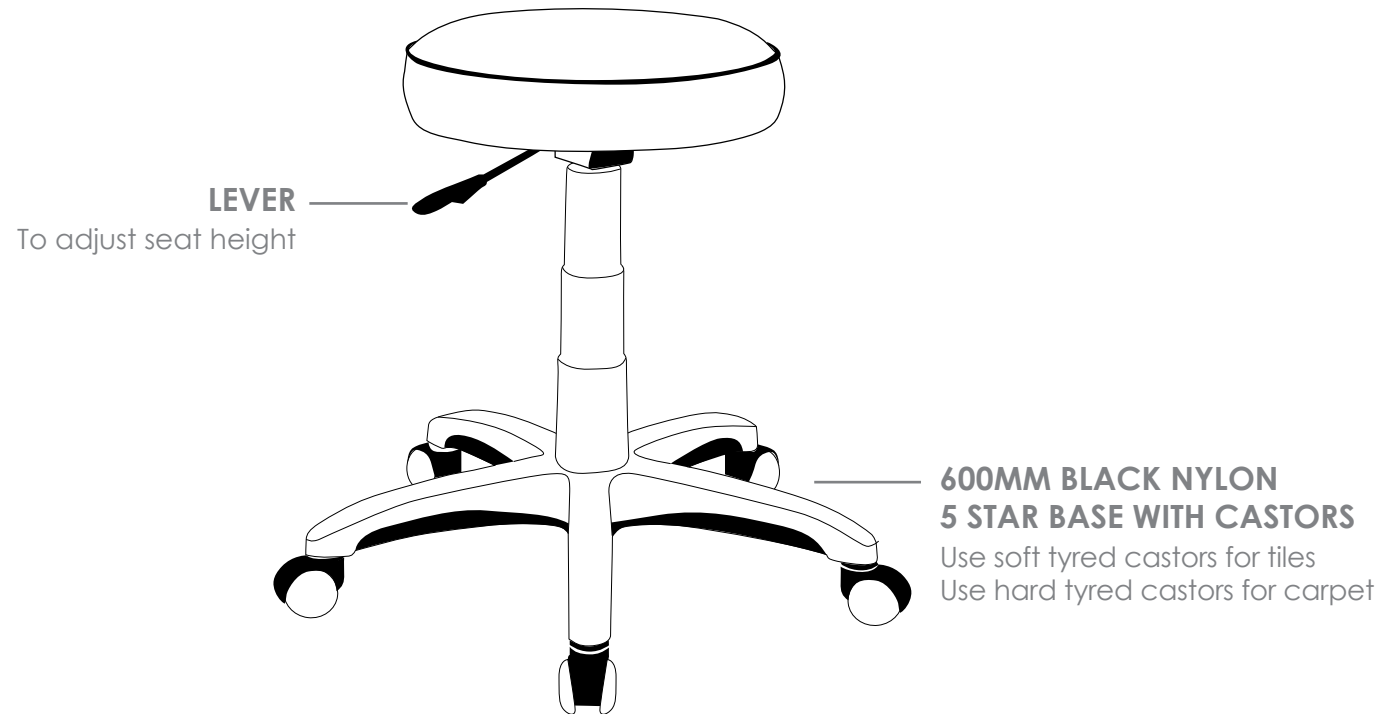


### FEATURES

- » Adjustable seat height
- » Optional drafting kit
- » Optional glides or brake castors
- » 600mm black nylon base
- » Available in local fabrics
- » Suitable for indoor use
- » 5 year warranty
- » Weight limit is 120kg

### INDOOR USE ONLY

✘ Do not use as a step ladder



# STATE INDUSTRIAL STOOL



ST003



ST003D